

**DEA\_2400\_8\_Richt CP LH**  
(Artikelnummer 10868)

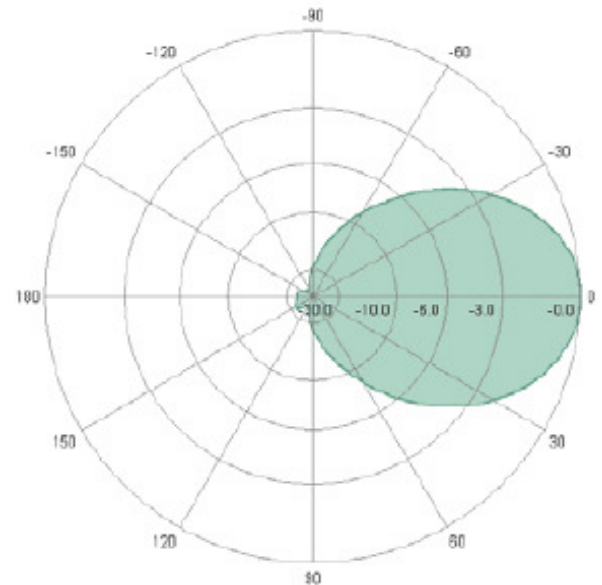
**Electrical Properties**

Frequency range	2300 - 2500 MHz
Impedance	50 $\Omega$
VSWR	1.5
Polarization	circular, left
Gain	8.5 dBi
3 dB beamwidth horizontal	70°
3 dB beamwidth vertical	65°
Downtilt	0°
Front to back ratio	20 dB
Axial ratio	3 dB
Max. power	75 W (CW) at 25°C

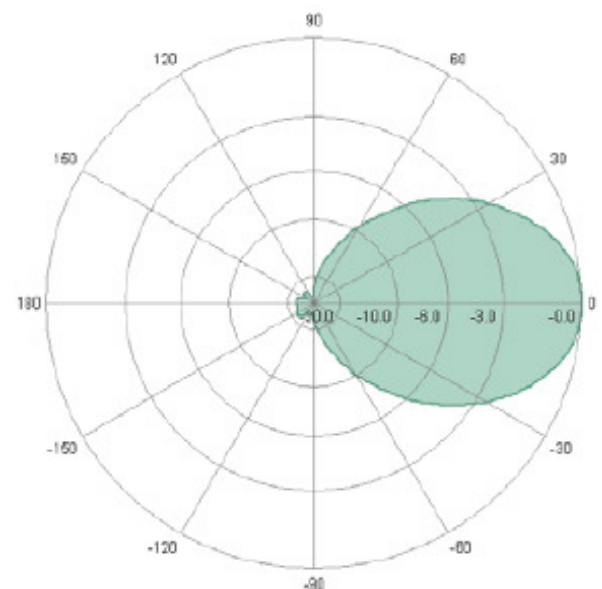
**Mechanical Properties**

Dimensions	101 x 95 x 32 mm (3.98" x 3.74" x 1.26")
Weight	0.11 kg (0.24 lbs.)
Housing material	ASA and aluminium
Radome material	ASA
Radome color	RAL 7035 (light grey)
Mounting bracket color	RAL 7042 (dark grey)
Operating temperature range	- 40°C to + 80°C
Storage temperature range	- 40°C to + 80°C
Windload	15 N at 160km/h (100mph)

**Radiation Pattern**



horizontal

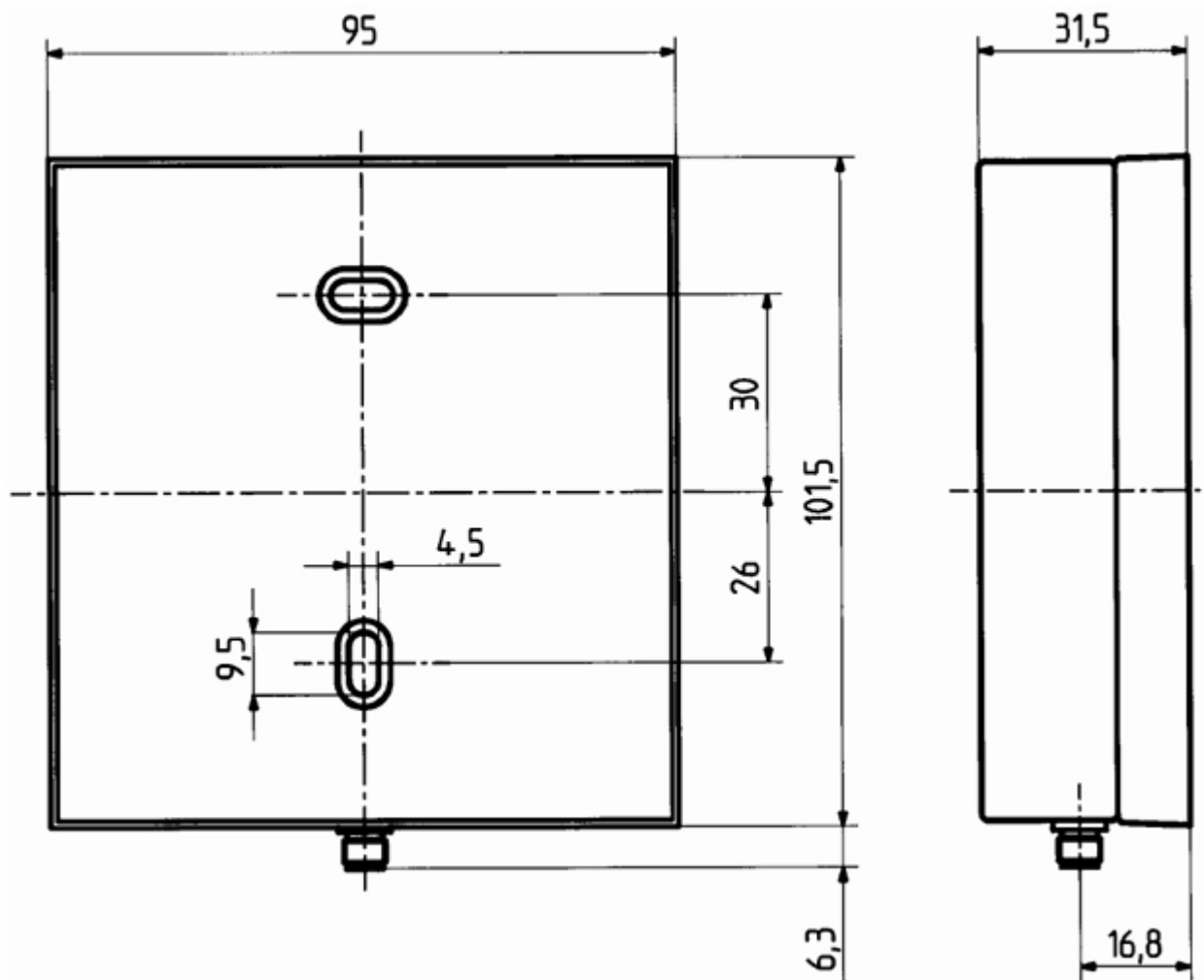


vertical

**Schildknecht AG**

Internet: <http://www.schildknecht.info>

eMail: [office@schildknecht.info](mailto:office@schildknecht.info)



**Schildknecht AG**

Internet: <http://www.schildknecht.info>

eMail: [office@schildknecht.info](mailto:office@schildknecht.info)