

DEA_1900_2_R

(Artikelnummer 10844)

schildknecht
Die intelligente Lösung

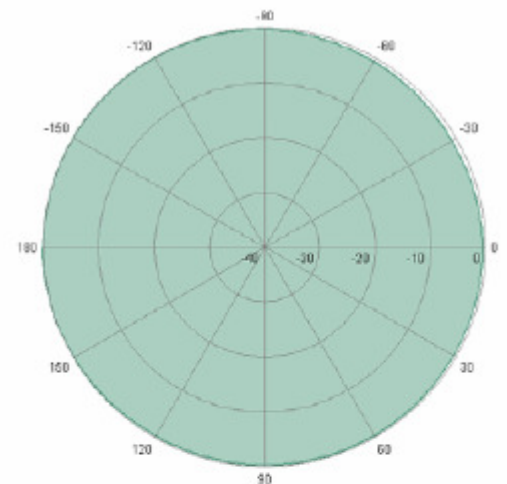
Electrical Properties

Frequency range	1880 - 1930 MHz
Impedance	50 Ω
VSWR	1.5
Polarization	linear, vertical
Gain	2.0 dBi
3 dB beamwidth horizontal	360°
3 dB beamwidth vertical	100°
Max. power	75 W (CW) at 25°C

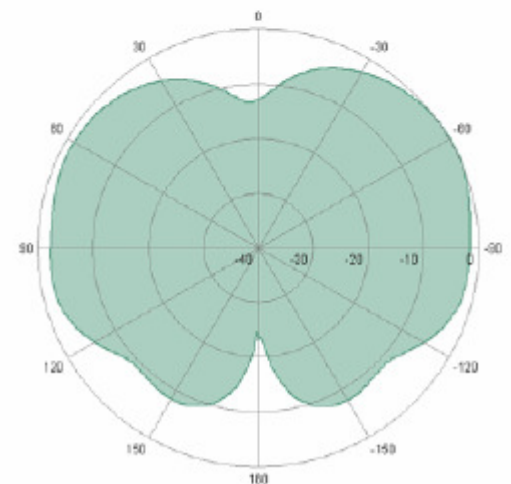
Mechanical Properties

Dimensions	\varnothing 86 x 43 mm (\varnothing 3.39" x 1.69")
Weight	0.3 kg (0.66 lbs.)
Housing material	aluminium
Radome material	ASA
Radome color	RAL 9010 (white)
Operating temperature range	- 40°C to + 80°C
Storage temperature range	- 40°C to + 80°C
Windload	10 N at 160km/h (100mph)

Radiation Pattern



horizontal

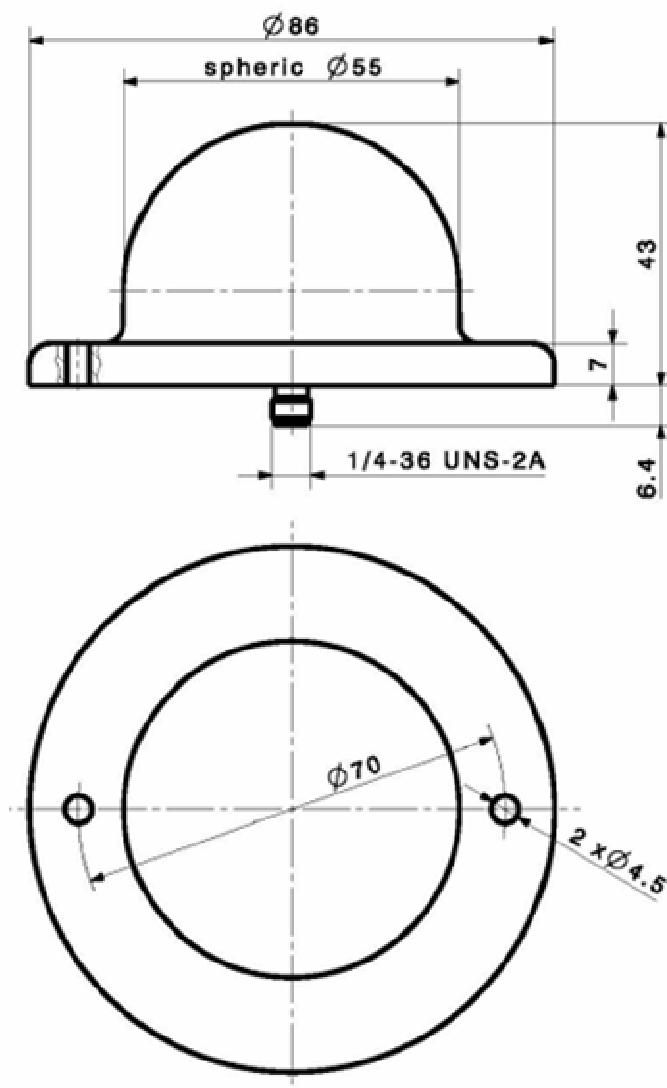


vertical

Schildknecht AG

Internet: <http://www.schildknecht.info>

eMail: office@schildknecht.info



Schildknecht AG

Internet: <http://www.schildknecht.info>

eMail: office@schildknecht.info