

**DEA\_2400\_8\_Richt CP RH**  
(Artikelnummer 10774)

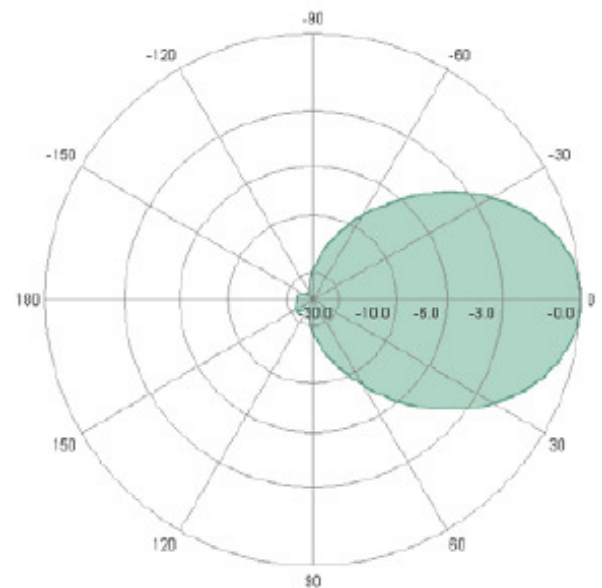
**Electrical Properties**

|                           |                   |
|---------------------------|-------------------|
| Frequency range           | 2300 - 2500 MHz   |
| Impedance                 | 50 Ω              |
| VSWR                      | 1.5               |
| Polarization              | circular, right   |
| Gain                      | 8.5 dBi           |
| 3 dB beamwidth horizontal | 70°               |
| 3 dB beamwidth vertical   | 65°               |
| Downtilt                  | 0°                |
| Front to back ratio       | 20 dB             |
| Axial ratio               | 3 dB              |
| Max. power                | 75 W (CW) at 25°C |

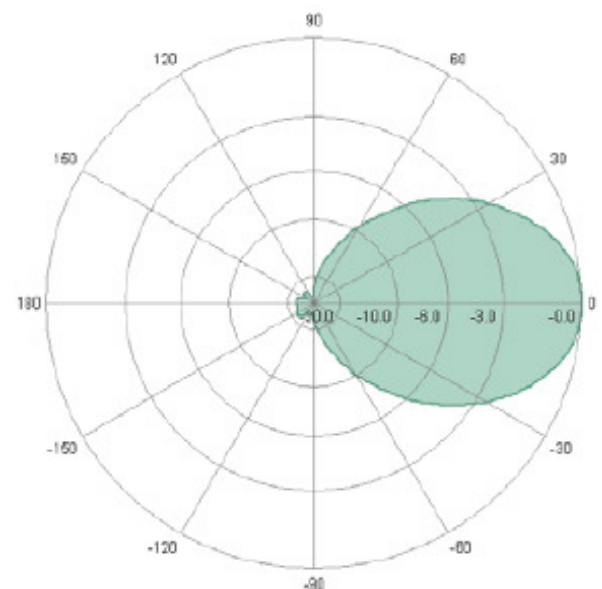
**Mechanical Properties**

|                             |   |
|-----------------------------|---|
| Dimensions                  | 101 x 95 x 32 mm<br>(3.98" x 3.74" x 1.26") |
| Weight                      | 0.11 kg (0.24 lbs.)                         |
| Housing material            | ASA and aluminium                           |
| Radome material             | ASA   |
| Radome color                | RAL 7035 (light grey)                       |
| Mounting bracket color      | RAL 7042 (dark grey)                        |
| Operating temperature range | - 40°C to + 80°C                            |
| Storage temperature range   | - 40°C to + 80°C                            |
| Windload                    | 15 N at 160km/h (100mph)                    |

**Radiation Pattern**



horizontal

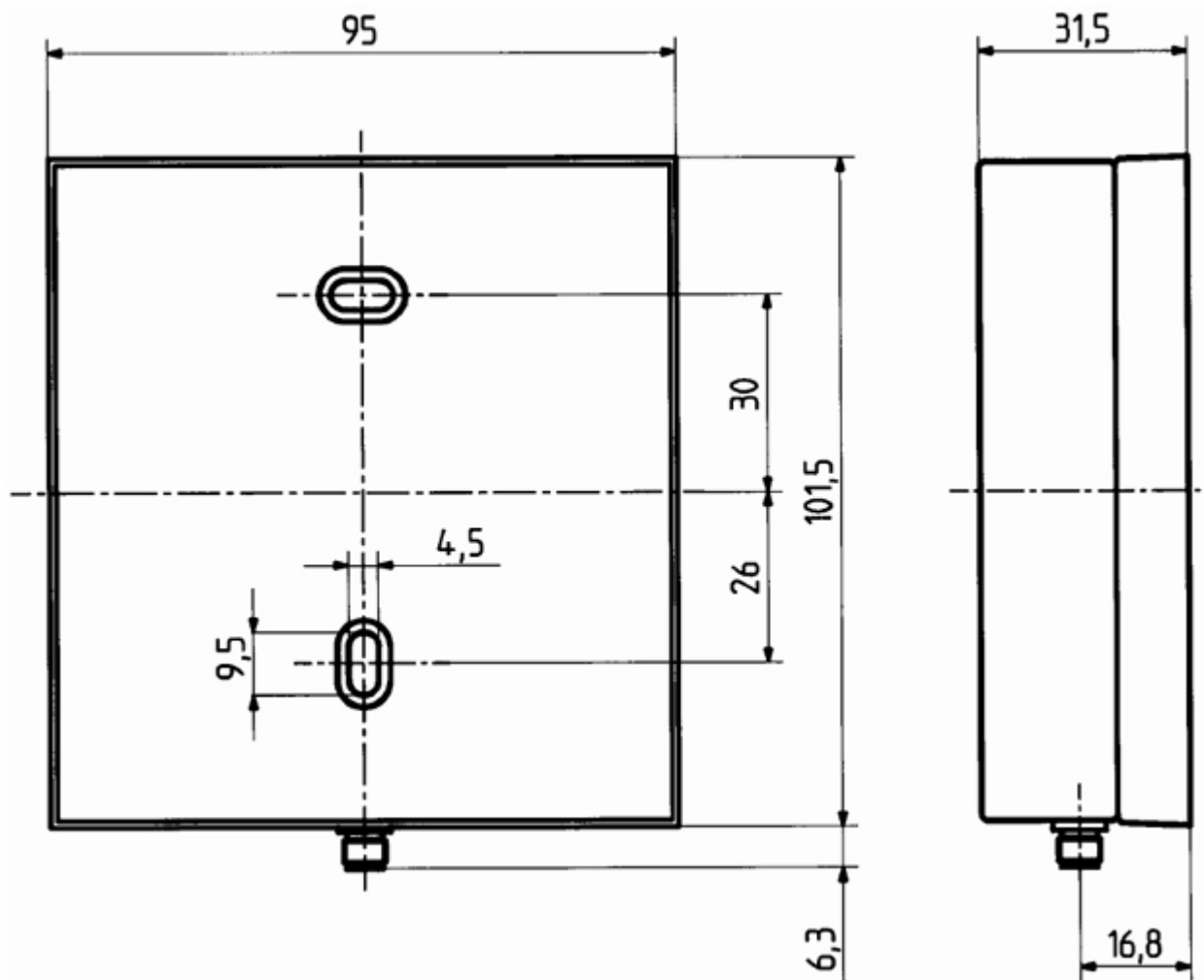


vertical

**Schildknecht AG**

Internet: <http://www.schildknecht.info>

eMail: [office@schildknecht.info](mailto:office@schildknecht.info)



**Schildknecht AG**

Internet: <http://www.schildknecht.info>

eMail: [office@schildknecht.info](mailto:office@schildknecht.info)