

DEA_1900_12_Richt

(Artikelnummer 10580)

schildknecht
Die intelligente Lösung

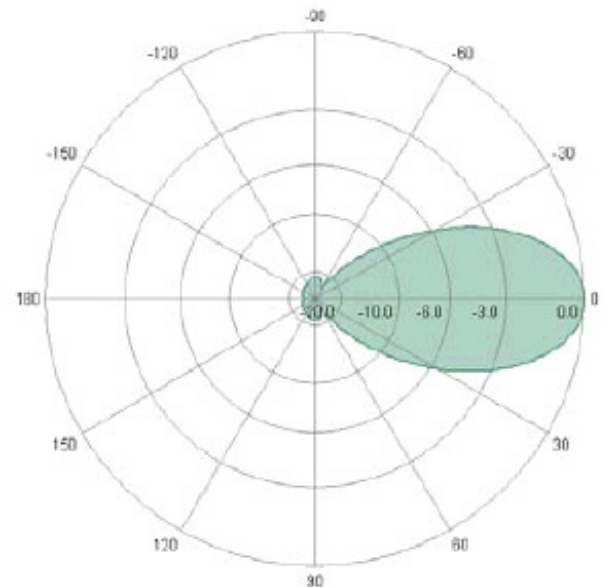
Electrical Properties

Frequency range	1850 - 1990 MHz
Impedance	50 Ω
VSWR	1.5
Polarization	linear, vertical
Gain	11.5 dBi
3 dB beamwidth horizontal	45°
3 dB beamwidth vertical	50°
Downtilt	0°
Front to back ratio	20 dB
Max. power	75 W (CW) at 25°C

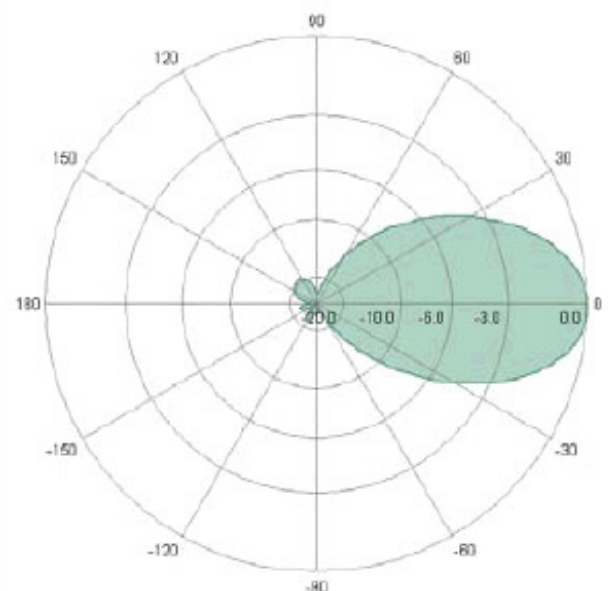
Mechanical Properties

Dimensions	200 x 200 x 43 mm (7.87" x 7.87" x 1.69")
Weight	0.5 kg (1.10 lbs.)
Radome material	ASA
Radome color	RAL 7035 (light grey)
Operating temperature range	- 40°C to + 80°C
Storage temperature range	- 40°C to + 80°C
Windload	57 N at 160km/h (100mph)

Radiation Pattern



horizontal

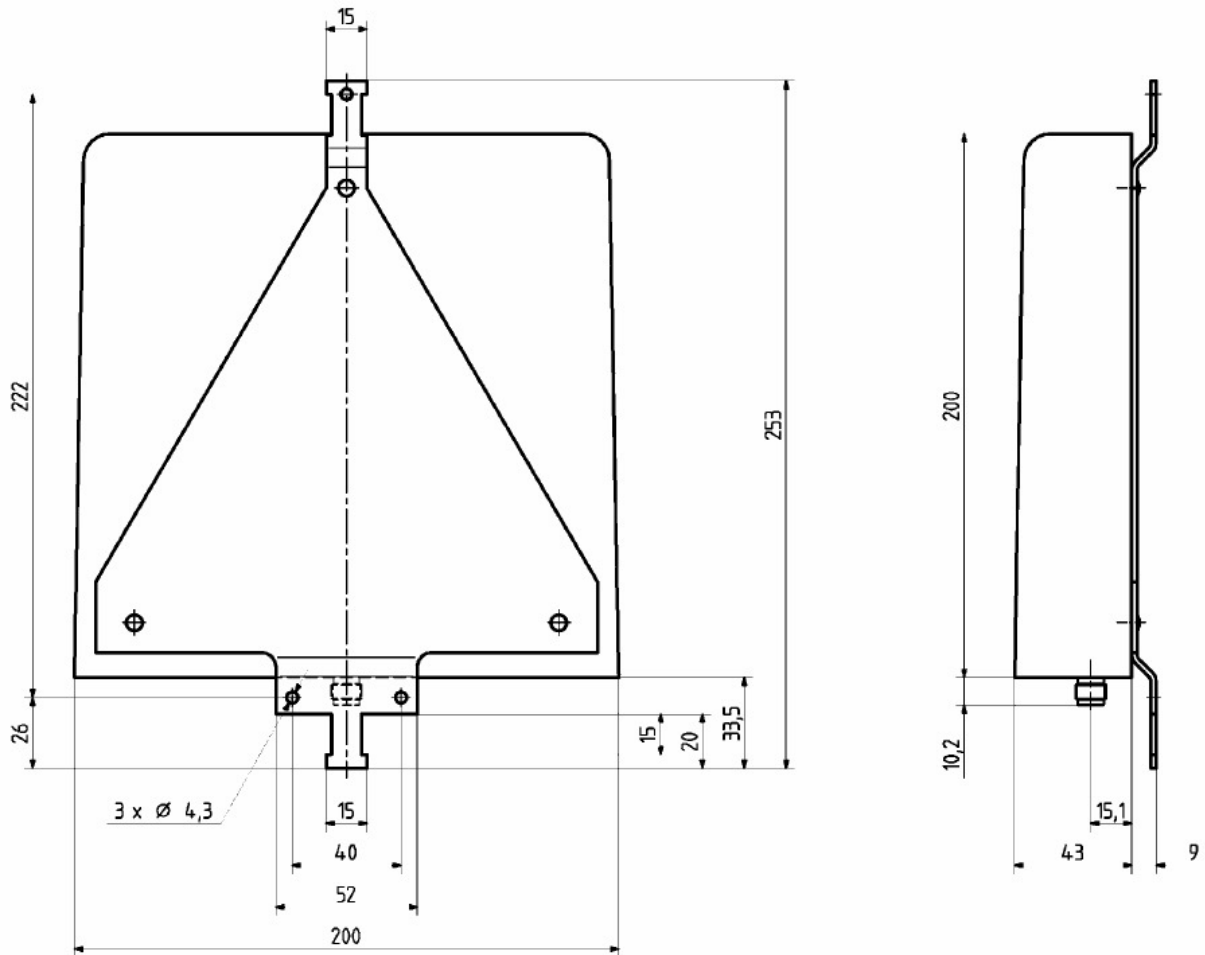


vertical

Schildknecht AG

Internet: <http://www.schildknecht.info>

eMail: office@schildknecht.info



Schildknecht AG

Internet: <http://www.schildknecht.info>

eMail: office@schildknecht.info