

DEA_1900_8_Richt_Div
(Artikelnummer 10559)

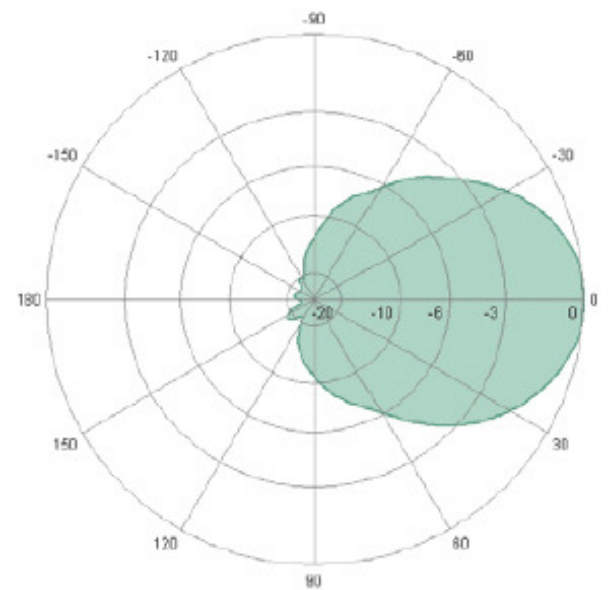
Electrical Properties

Frequency range	1850 - 1990 MHz
Impedance	50 Ω
VSWR	1.5
Polarization	linear, vertical
Gain	8.0 dBi
3 dB beamwidth horizontal	85°
3 dB beamwidth vertical	65°
Downtilt	0°
Front to back ratio	15 dB
Max. power	75 W (CW) at 25°C

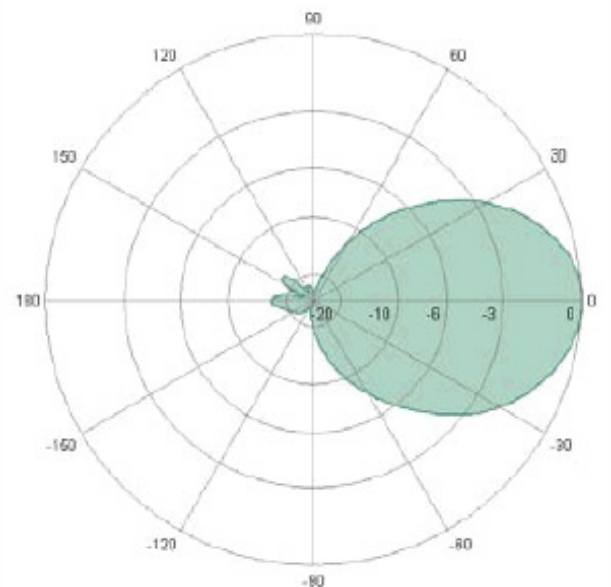
Mechanical Properties

Dimensions	101 x 95 x 32 mm (3.98" x 3.74" x 1.26")
Weight	0.11 kg (0.24 lbs.)
Housing material	ASA and aluminium
Radome material	ASA
Radome color	RAL 7035 (light grey)
Mounting bracket color	RAL 7042 (dark grey)
Operating temperature range	- 40°C to + 80°C
Storage temperature range	- 40°C to + 80°C
Windload	15 N at 160km/h (100mph)

Radiation Pattern



horizontal

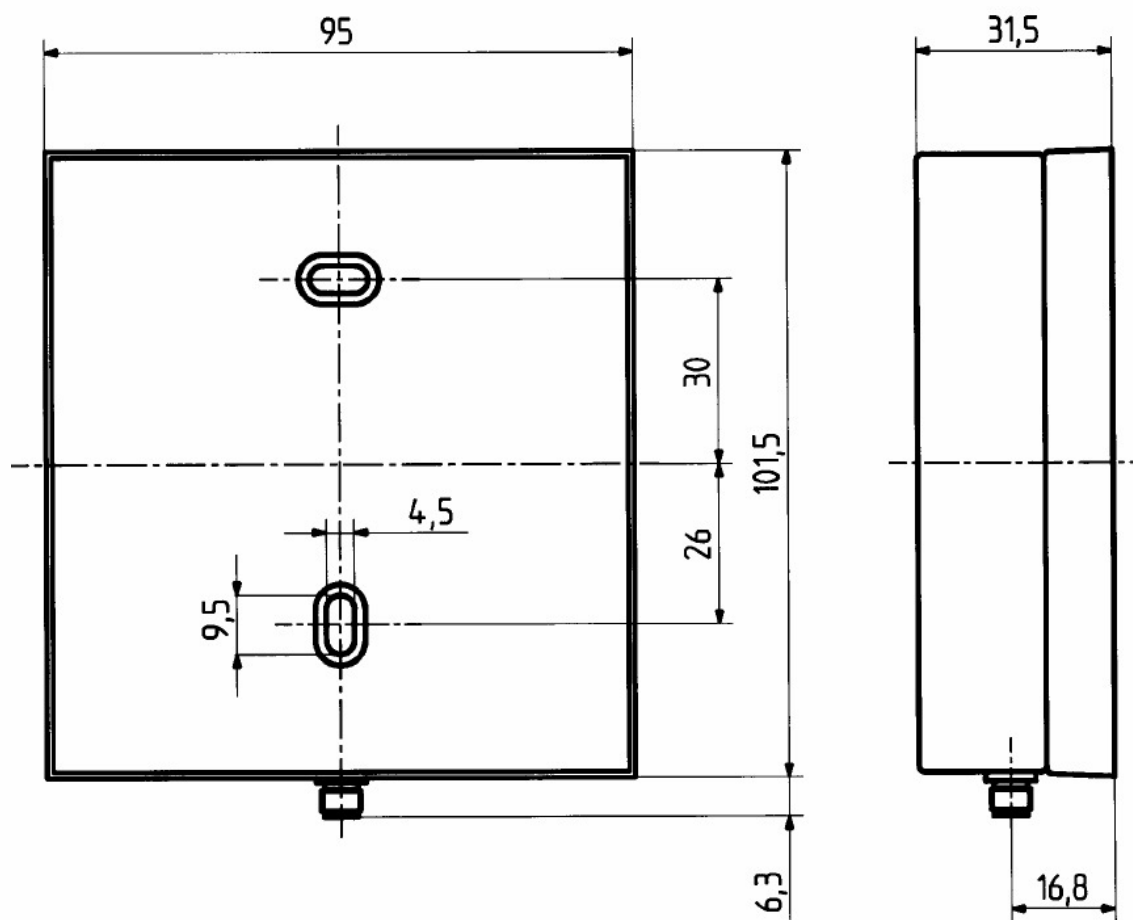


vertical

Schildknecht AG

Internet: <http://www.schildknecht.info>

eMail: office@schildknecht.info



Schildknecht AG

Internet: <http://www.schildknecht.info>

eMail: office@schildknecht.info