

DEA_1900_2_Schaltschrankmontage (Artikelnummer 10410)

SPECIFICATIONS:

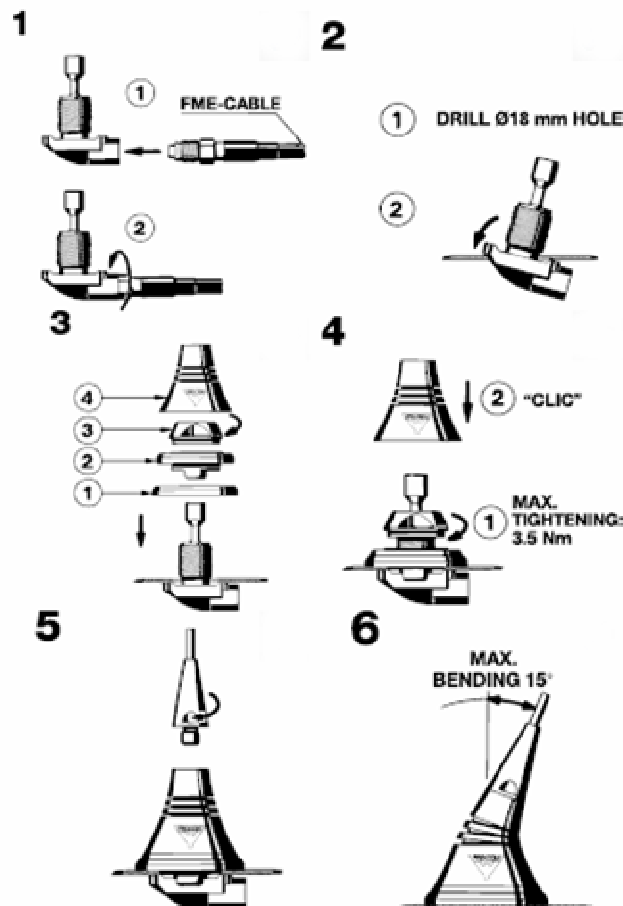
ELECTRICAL	
ANTENNA TYPE	Colinear mobile whip antenna
FREQUENCY	1800 MHz band (1700–1900 MHz)
IMPEDANCE	Nom. 50 Ω
POLARISATION	Vertical
GAIN	2 dB (acc. to EIA RS-329)
BANDWIDTH	≥ 200 MHz at SWR ≤ 2.25
SWR	≤ 2.0 at f. res.
MAX. POWER	25 watt
MECHANICAL	
MATERIALS	Whip: Black-chromed stainless steel Black-chromed brass
	Mount: Stainless steel Brass Environment-proof plastics
RECOMMENDED INSTALLATION TORQUE	3.5 Nm max.
CABLE	FME-cable to be ordered separately
COLOUR	Black
HEIGHT	Approx. 140 mm
WEIGHT	Approx. 34 g
MOUNTING	18 mm dia. hole

Schildknecht AG

Internet: <http://www.schildknecht.info>

eMail: office@schildknecht.info

INSTALLATION STEPS:



PLEASE NOTE: When tightening the revolving nut (see picture 4), special care must be taken to keep the spanner in the correct position.

Schildknecht AG

Internet: <http://www.schildknecht.info>

eMail: office@schildknecht.info