

**DEA\_2400\_4\_Kunststoffgehäuse**  
(Artikelnummer 10361)

**Technical Data**

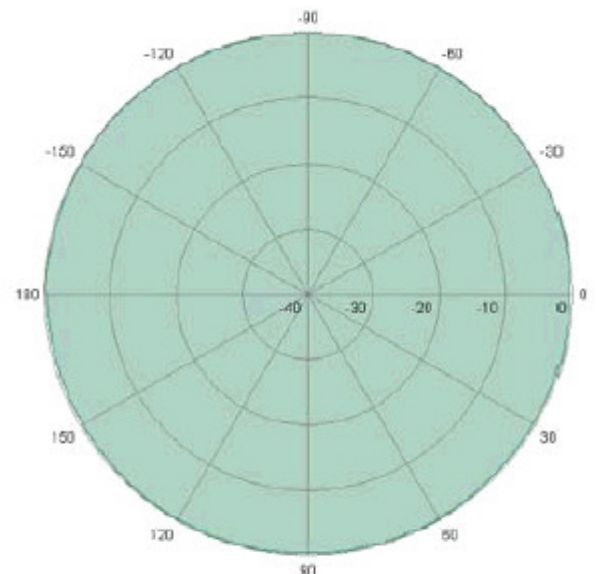
**Electrical Properties**

Frequency range	2400 - 2500 MHz
Impedance	50 $\Omega$
VSWR	1.5
Polarization	linear, vertical
Gain	4.0 dBi
3 dB beamwidth horizontal	360°
3 dB beamwidth vertical	25°
Downtilt	20°
Max. power	75 W (CW) at 25°C

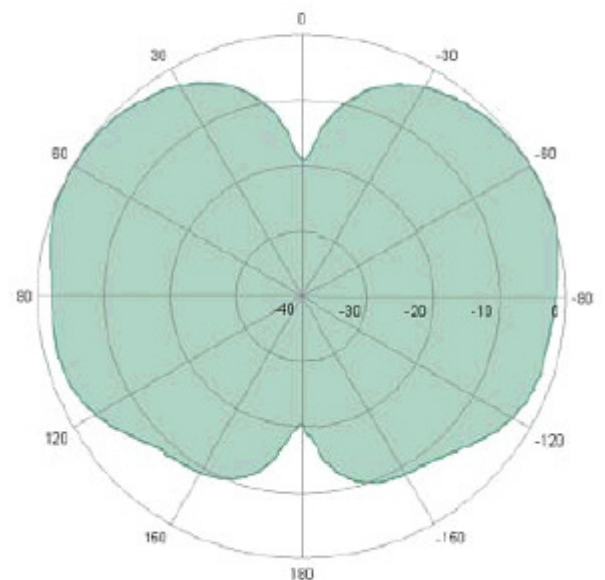
**Mechanical Properties**

Dimensions	$\varnothing$ 86 x 43 mm ( $\varnothing$ 3.39" x 1.69")
Weight	0.3 kg (0.66 lbs.)
Housing material	aluminium
Radome material	ASA
Radome color	RAL 7035 (light grey)
Operating temperature range	- 40°C to + 80°C
Storage temperature range	- 40°C to + 80°C
Windload	10 N at 160km/h (100mph)

**Radiation Pattern**



horizontal

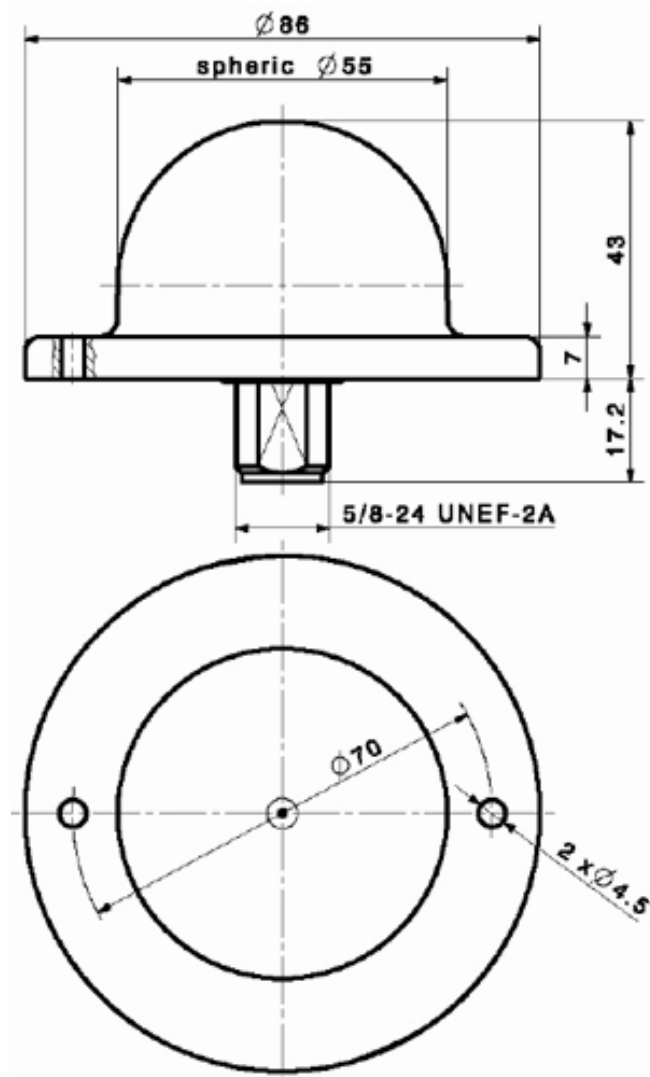


vertical

**Schildknecht AG**

Internet: <http://www.schildknecht.info>

eMail: [office@schildknecht.info](mailto:office@schildknecht.info)



**Schildknecht AG**

Internet: <http://www.schildknecht.info>

eMail: [office@schildknecht.info](mailto:office@schildknecht.info)