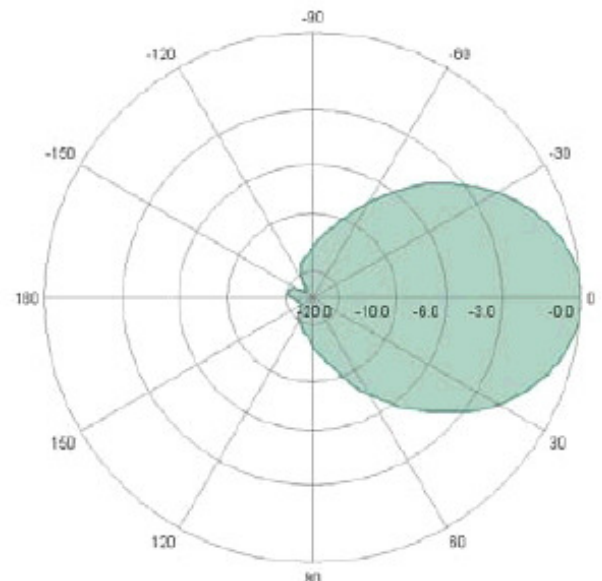


**DEA\_2400\_8\_Richt V**  
 (Artikelnummer 10249)

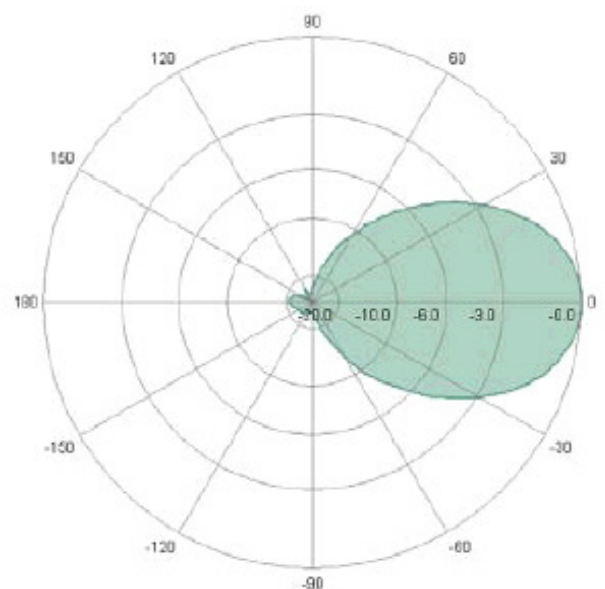
<b>Electrical Properties</b>	
Frequency range	2300 - 2500 MHz
Impedance	50 Ω
VSWR	1.5
Polarization	linear, vertical
Gain	8.5 dBi
3 dB beamwidth horizontal	75°
3 dB beamwidth vertical	60°
Downtilt	0°
Front to back ratio	20 dB
Max. power	75 W (CW) at 25°C

<b>Mechanical Properties</b>	
Dimensions	101 x 95 x 32 mm (3.98" x 3.74" x 1.26")
Weight	0.11 kg (0.24 lbs.)
Housing material	ASA and aluminium
Radome material	ASA
Radome color	RAL 7035 (light grey)
Mounting bracket color	RAL 7042 (dark grey)
Operating temperature range	- 40°C to + 80°C
Storage temperature range	- 40°C to + 80°C
Windload	15 N at 160km/h (100mph)

**Radiation Pattern**



horizontal

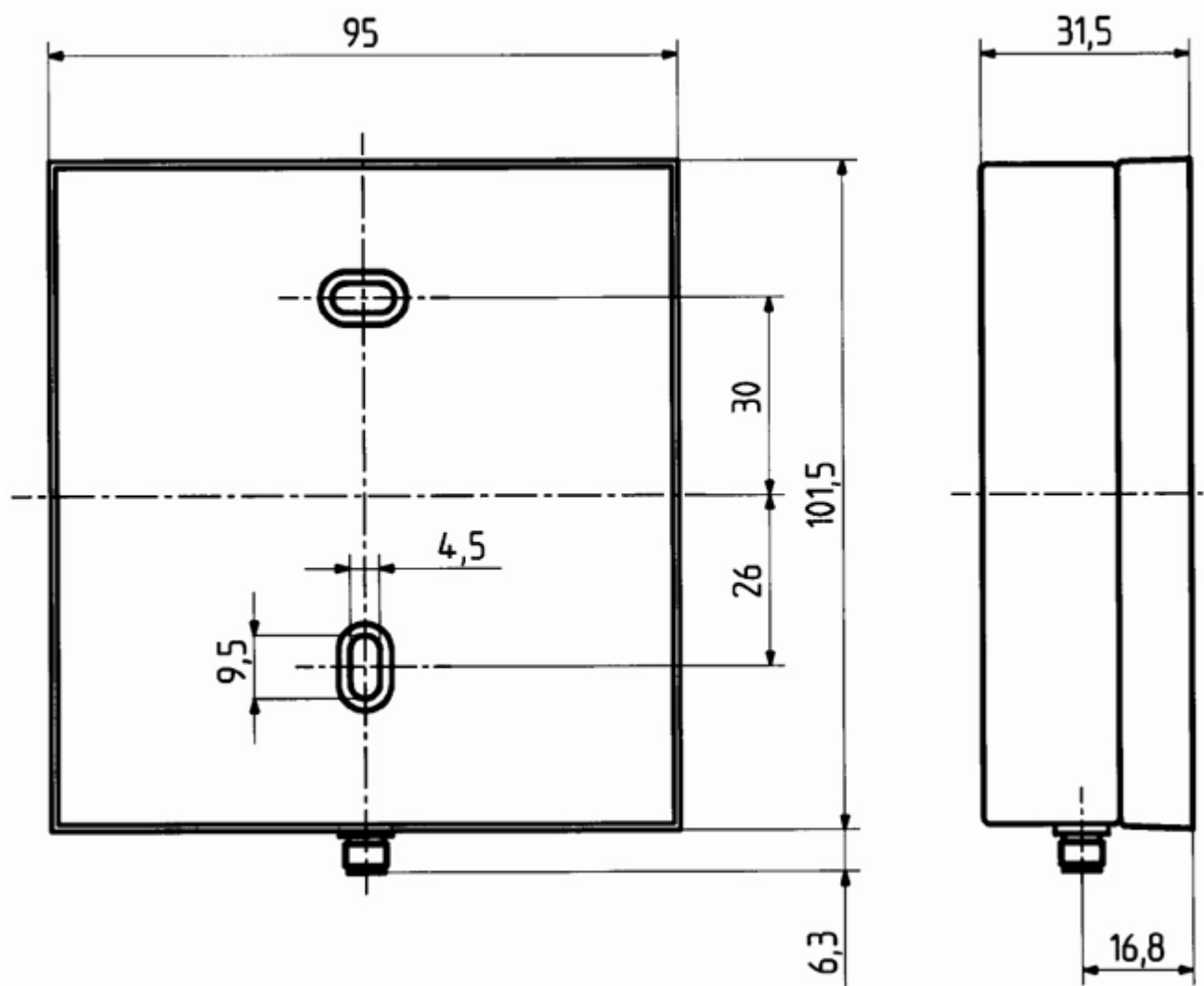


vertical

**Schildknecht AG**

Internet: <http://www.schildknecht.info>

eMail: [office@schildknecht.info](mailto:office@schildknecht.info)



**Schildknecht AG**

Internet: <http://www.schildknecht.info>

eMail: [office@schildknecht.info](mailto:office@schildknecht.info)